

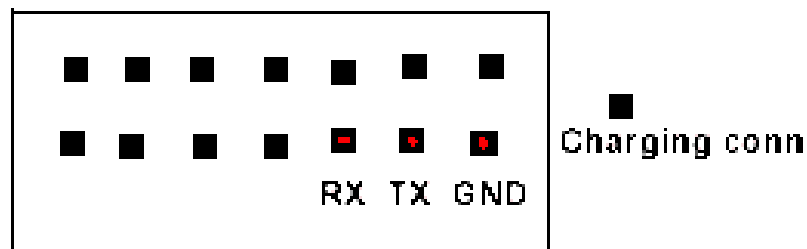
[AD]

?

# SCHEMATIC TERRORIST

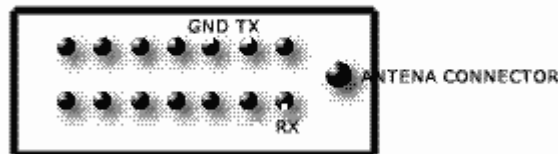
Siemens C30 the circuit of connection and ??????????

Siemens C30 pin-outs



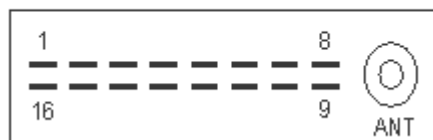
Siemens S-40 the circuit of connection and ??????????

Siemens S-40 pin outs



Siemens S10/S11 and S1088 the circuit of connection and ??????????

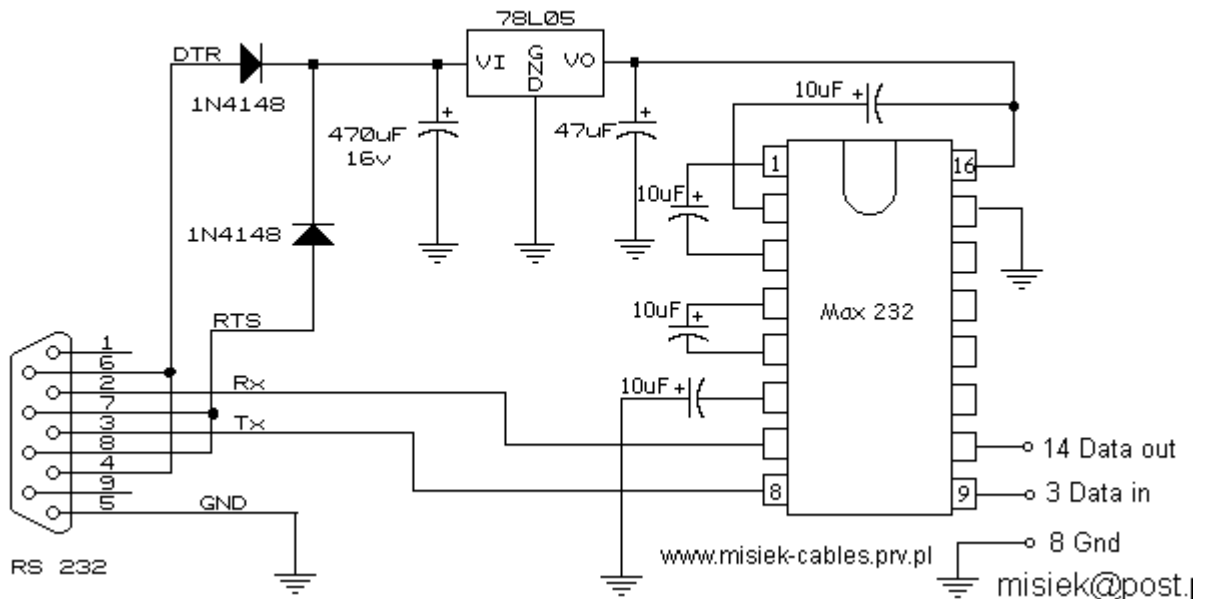
Siemens S10/S11 S1088 Pinout



Pin	Name	Function	in/out
1	LOAD	Charging voltage	in
2	BATTERY	Battery	out
3	DATA IN	Data received [S6, S8pin=2]	in
4	Antena	Antena	
5	???		
6	???		

7	MICG	Ground for microphone	in
8	<b>GND</b>	<b>Ground</b>	
9	GND	Ground	
10	Earphone	Earphone	
11	MIC	Microphone input	
12	AUD	Loudspeaker	out
13	???		
14	<b>DATA OUT</b>	<b>Data sent</b> [S6, S8pin=15]	<b>out</b>
15	???		
16	???		

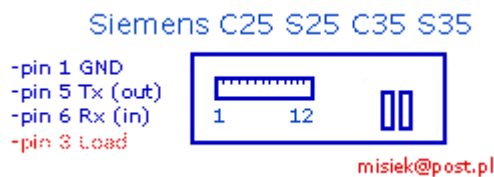
**Siemens Interface S10 S11 S1088 by Misiek**



**Siemens SL10 the circuit of connection and ??????????**




**Siemens C2x, S25, C, S, M35, A3x, SL45 the circuit of connection and ????????**



Pin	Name	Function	in/out
1	<b>GND</b>	<b>Ground</b>	

2	SELF-SERVICE	Recognition/control battery charger	in/out
3	LOAD	Charging voltage	in
4	BATTERY	Battery	out
5	<b>DATA OUT</b>	<b>Data sent</b>	<b>out</b>
6	<b>DATA IN</b>	<b>Data received</b>	<b>in</b>
7	Z_CLK	Recognition/control accessories	
8	Z_DATA	Recognition/control accessories	
9	MICG	Ground for microphone	in
10	MIC	Microphone input	
11	AUD	Loudspeaker	out
12	AUDG	Ground for external speaker	



??????? ?????????? 

Schematic

[\[AD\]](#)

